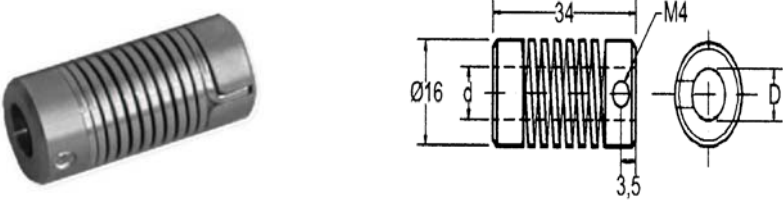
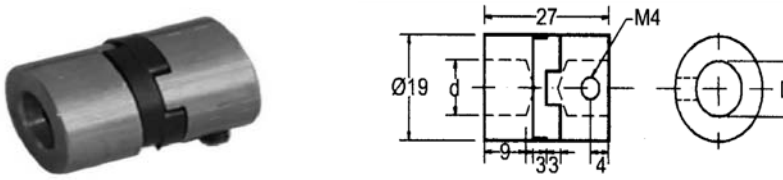
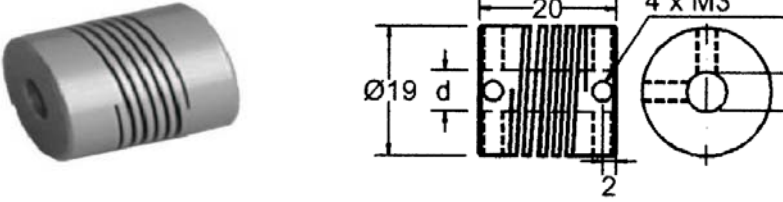
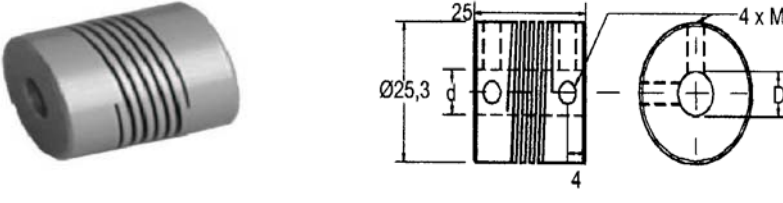
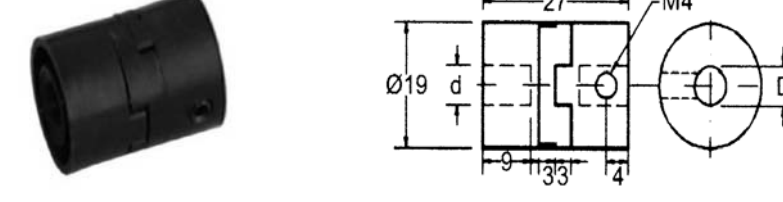


# GIUNTI PER ENCODER

MODELLO	DIMENSIONI	CODICE
<b>SIG-1</b>		SIG1-6/6 D=6mm,d=6mm SIG1-8/8 D=8mm,d=8mm SIG1-10/10 D=10mm,d=10mm
<b>SIG-2</b>		SIG2-6/6 D=6mm,d=6mm SIG2-8/8 D=8mm,d=8mm SIG2-10/10 D=10mm,d=10mm
<b>SIG-3</b>		SIG3-6/6 D=6mm,d=6mm
<b>SIG-3</b>		SIG3-8/8 D=8mm,d=8mm SIG3-10/10 D=10mm,d=10mm
<b>SIG-4</b>		SIG4-4/4 D=4mm,d=4mm SIG4-6/6 D=6mm,d=6mm